

JET

JMD-18 METALWORKING Mill/Drill

350018M

230/50/1

**PARTS LIST
ERSATZTEILLISTE
LISTE DE PIECES**

WMH Tool Group AG

Bahnstrasse 24, CH – 8603 Schwerzenbach

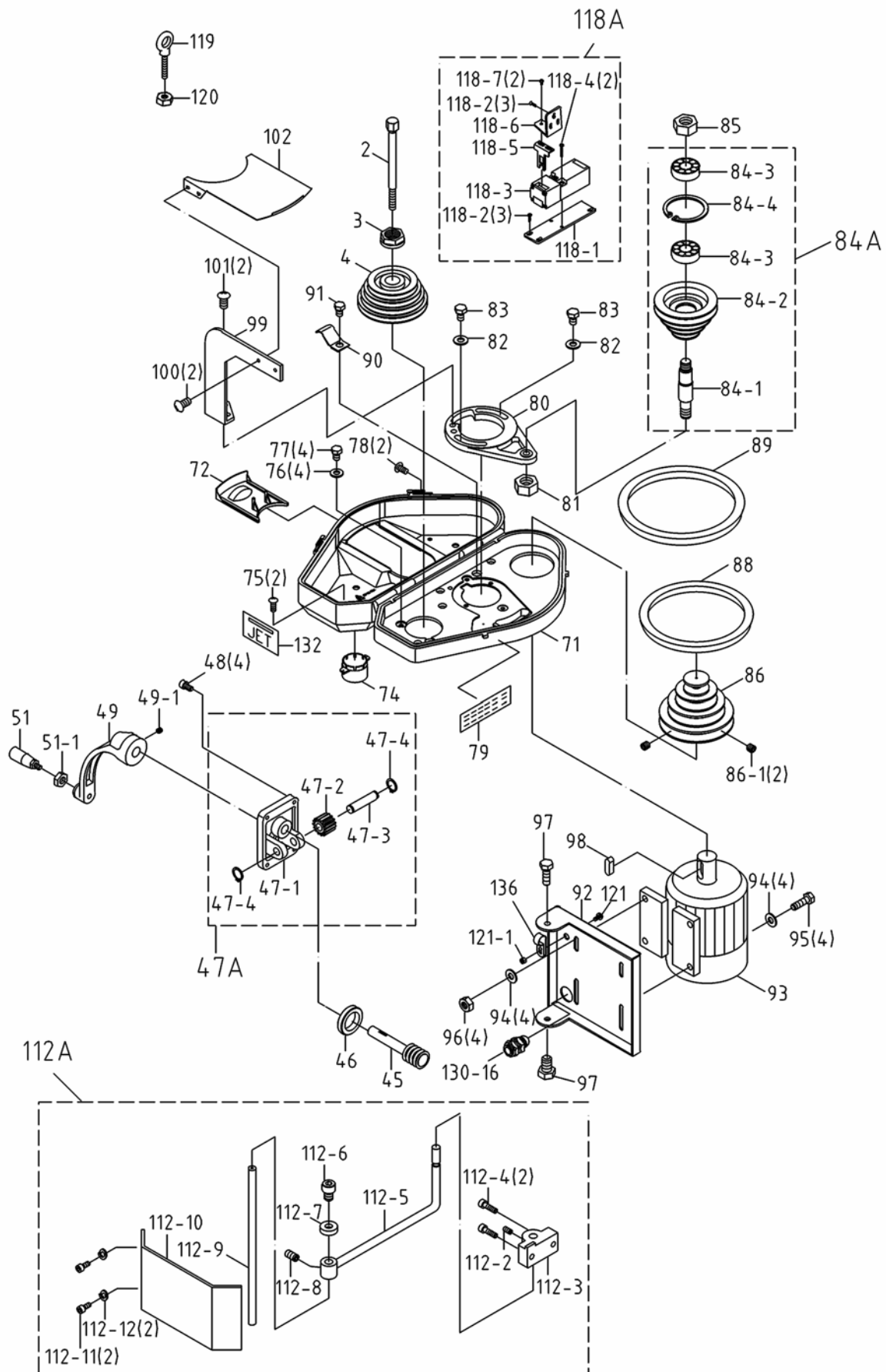
www.wmhtoolgroup.ch; info@wmhtoolgroup.ch

Tel +41 (0) 1 806 47 48

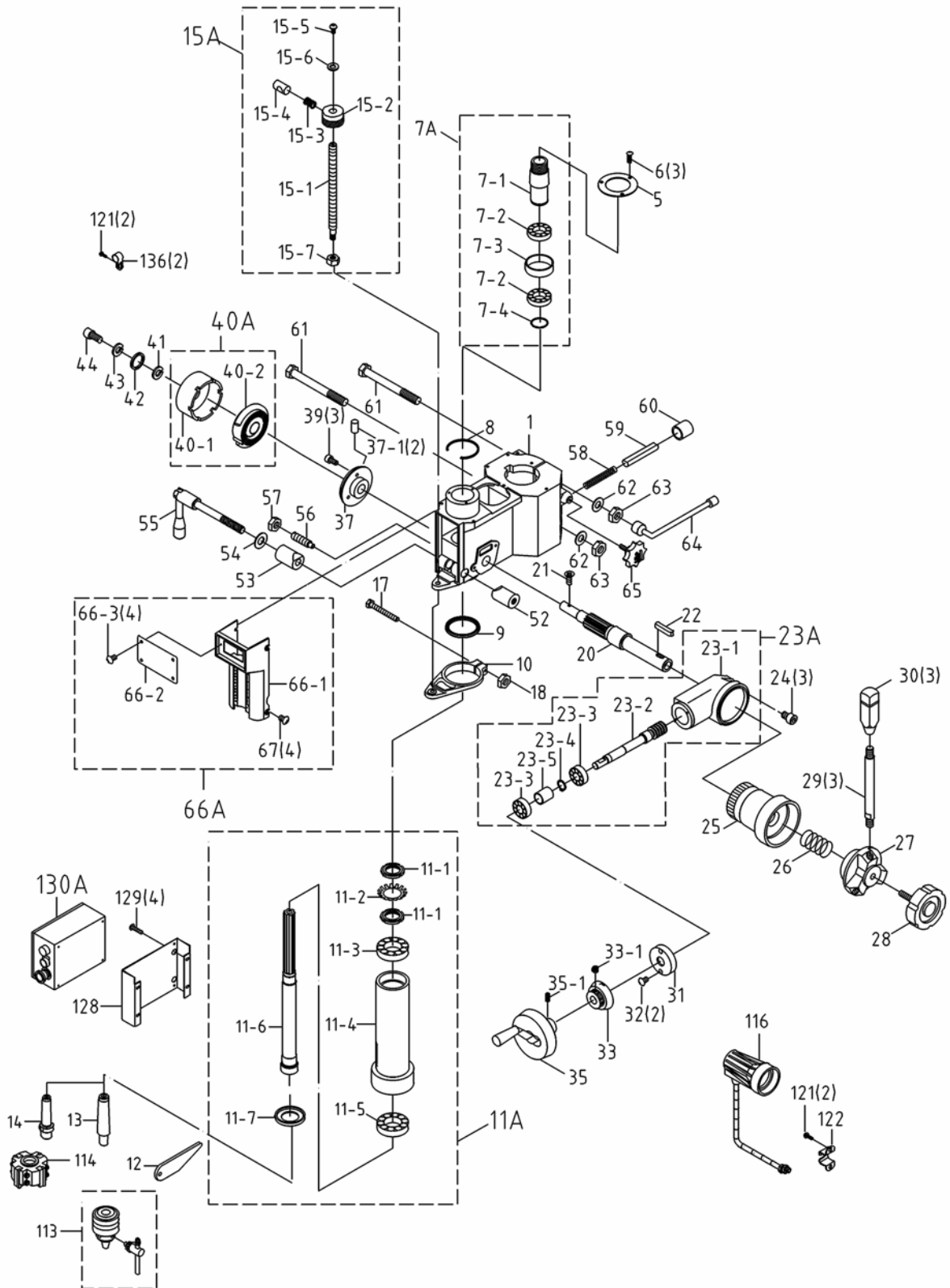
Fax +41 (0) 1 806 47 58



Breakdown for the JMD-18 CE Mill/Drill Transmission Assembly



Breakdown for the JMD-18 CE Mill/Drill Head Assembly



**Parts List for the JMD-18 CE Mill/Drill
Transmission & Head Assembly**

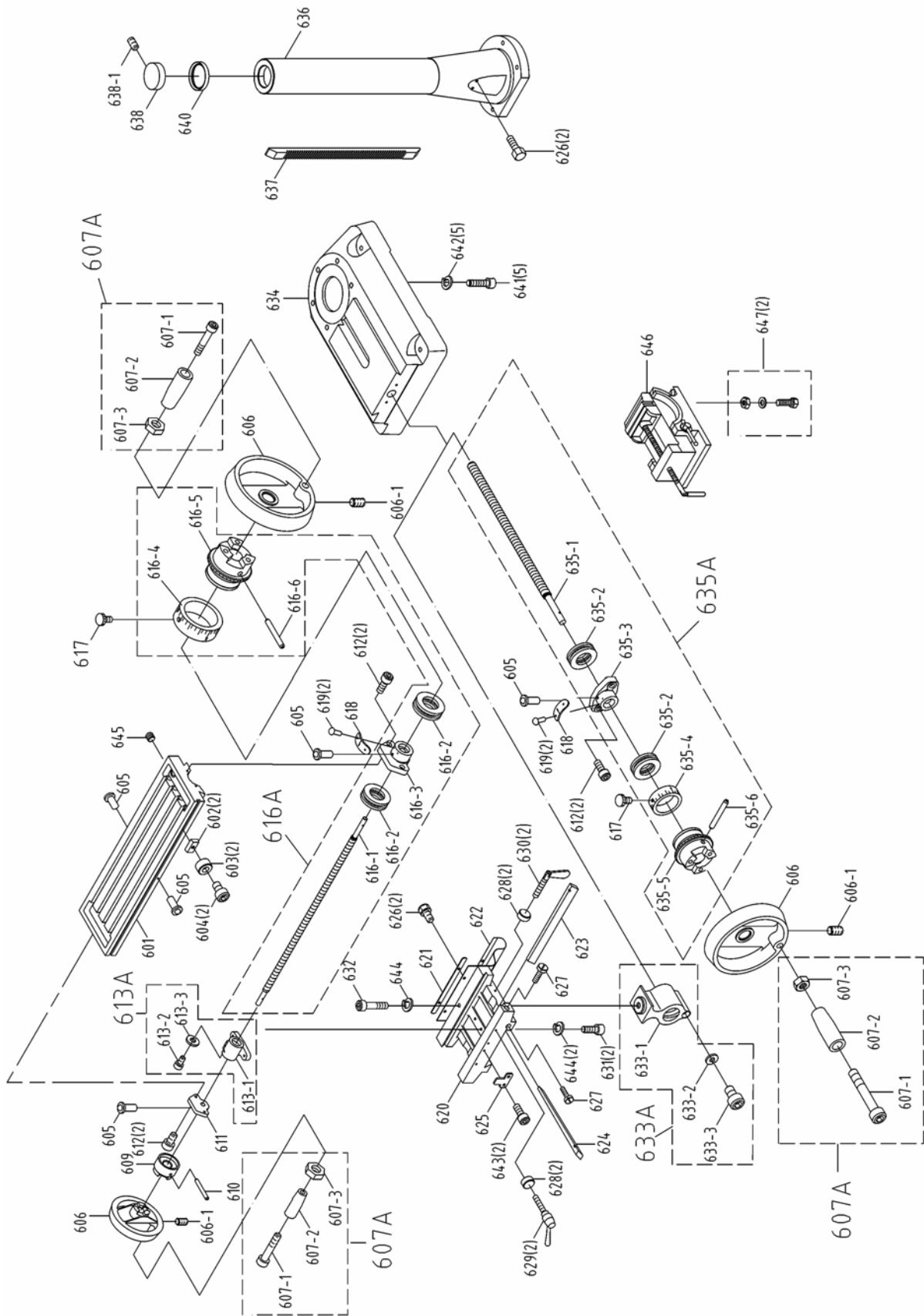
Index No.	Part No.	Description	Size	Qty.
1	JMD18N-001	Head Body		1
2	JMD18-001E	Drawbar	MT3, 12mm	1
3	JMD18-002A	Spindle Lock Nut		1
4	JMD18-003A	Spindle Pulley		1
5	JMD18-005	Outer Bearing Plate	105x66	1
6	JMD18-133	Round Head Screw	1/4"x3/8"	3
7A	JMD18-006A	Spindle Taper Sleeve Assembly		1
7-1	JMD18-006	Spindle Taper Sleeve		1
7-2	BB-6009ZZ	Ball Bearing	6009ZZ	2
7-3	JMD18-008	Spacer	74x68	1
7-4	JMD18-023	Fixed Ring	2x4	1
8	JMD18-009	C-Retaining Ring	3x80	1
9	JMD18-012	Rubber Flange		1
10	JMD18N-010	Feed Base		1
11A	JMD18-014AE	Rack Sleeve Set		1
11-1	JMD18-014	Lock Nut		2
11-2	JMD18-137	Lock Washer		1
11-3	BB-30206	Taper Roller Bearing	30206	1
11-4	JMD18-016E	Rack Sleeve	MT3	1
11-5	BB-30207	Taper Roller Bearing	30207	1
11-6	JMD18-017E	Spindle Shaft	MT3	1
11-7	JMD18-019	Bearing Cap	MT3	1
12	JMD18-012E	Punch Key		1
13	JMD18-021E	Chuck Arbor	MT3, M12	1
14	JMD18-020E	Cutter Arbor	25.4mm, M12	1
15A	JMD18N-015A	Graduated Rod Assembly		1
15-1	JMD18N-15-1	Depth Scale Stud		1
15-2	JMD18N-15-2	Adjustable Stop		1
15-3	JMD18N-15-3	Spring		1
15-4	JMD18N-15-4	Push Button		1
15-5	JMD18N-15-5	Hex Socket Cap Screw	M5x8	1
15-6	JMD18N-15-6	Washer	M5x15xt1.2	1
15-7	JMD18N-15-7	Hex Nut	3/8"	1
17	TS-0050091	Hex Head Screw	1/4"x2"	1
18	TS-0561011	Hex Nut	1/4"	1
20	JMD18-106	Pinion Shaft		1
21	JMD18-188	Flat Cross Head Screw	3/16"x3/8"	1
22	JMD18-142	Key	7x7x20mm	1
23A	JMD18N-023A	Gear Housing Assembly		1
23-1	JMD18N-023	Gear Housing		1
23-2	JMD18-047	Worm Shaft		1
23-3	BB-6202Z	Ball Bearing	6202ZZ	2
23-4	JMD18-148	C-ring	15	1
23-5	JMD18-035	Bearing Spacer	34x27.5	1
24	TS-0208021	Hex Socket Cap Screw	5/16"x1/2"	3
25	JMD18-107	Worm Gear		1
26	JMD18-115	Spring		1
27	JMD18-110	Hub		1
28	JMD18-038	Knob		1
29	JMD18N-029	Handle Rod		3
30	JMD18N-030	Knob		3
31	JMD18-045	Flange		1
32	JMD18-047	Round Head Screw	3/16"x3/8"	2
33	JMD18N-033E	Micro Adjusting Indicator		1
33-1	TS-0267021	Set Screw	1/4"x1/4"	1
35	JMD18N-035A	Feed Handle Wheel Assembly		1

Index No.	Part No.	Description	Size	Qty.
35-1	JMD18N-035-1	Set Screw	M8x10	1
37	JMD18-105	Spring Base		1
37-1	JMD18-140	Spring Pin		2
39	JMD18-139	Round Head Screw	3/16"x3/4"	3
40A	JMD18-103A	Spring Cover Assembly		1
40-1	JMD18-103	Spring Cover		1
40-2	JMD18-104	Spring		1
41	JMD18-187	Washer	1/4"x1"	1
42	TS-0680021	Washer	1/4"	1
43	JMD18-187	Lock Washer	1/4"x1"	1
44	JMD18-085	Knob	1/4"	1
45	JMD18-059	Worm Shaft		1
46	JMD18-114	Bushing		1
47A	JMD18-101A	Head Raise Bracket Assembly		1
47-1	JMD18-101	Head Raise Bracket		1
47-2	JMD18-060	Worm Gear		1
47-3	JMD18-061	Shaft	9/16"	1
47-4	JMD18-154	C-ring	S14	2
48	TS-0207061	Hex Socket Cap Screw	1/4"x1"	4
49	JMD18-058E	Head Handle		1
49-1	TS-0271061	Set Screw	3/8"x5/8"	1
51	JMD18-022	Handle		1
51-1	TS-0561031	Hex Nut	3/8"	1
52	JMD18-026	Fixed Collar (Thread)		1
53	JMD18-025	Fixed Collar		1
54	JMD18N-054	Washer	1/2"x7/8"	1
55	JMD18-024E	Handle Rod	165L	1
56	JMD18-027	Screw Key	3/8"	1
57	TS-0561031	Hex Nut	3/8"	1
58	JMD18-062	Spring		1
59	JMD18-063	Pin		1
60	JMD18-079	Rubber Collar		1
61	JMD18-052	Bolt	5/8"x6"	2
62	TS-0680081	Washer	5/8"	2
63	TS-0561071	Hex Nut	5/8"	2
64	JMD18-050E	Lock Handle		1
65	JMD18N-065	Knob (w/ JET logo)		1
66A	JMD18N-066A	Front Cover Plate Assembly		1
66-1	JMD18N-066-1	Front Cover Plate		1
66-2	JMD18-066-2E	Dust Plate		1
	JMD18-WLE	Warning Label for CE (not shown)		1
66-3	TS-1531012	Pan Head Screw	M3x6	4
67	JMD18N-067	Round Head Screw	M6x12	4
71	JMD18-069	Poly Belt Cover		1
72	JMD18-069A	Pulley Cover		1
74	JMD18-069-1	Spindle Cover		1
75	JMD18-069-3	Machine Screw	4mm	2
76	TS-0680032	Flat Washer	5/16"	4
77	TS-0051011	Hex Head Bolt	5/16"x1/2"	4
78	JMD18-078E	Pan Head Screw	M4*25L	2
79	JMD18-SCE	Spindle Speed Chart		1
80	JMD18N-080	Pulley Base		1
81	TS-0561071	Hex Nut	5/8"	1
82	TS-0680031	Washer	5/16"	3
83	TS-0051071	Hex Head Bolt	5/16"x1-1/2"	2
84A	JMD18-075A	Inter Pulley Assembly		1
84-1	JMD18-075	Inter Pulley Shaft		1
84-2	JMD18-073	Inter Pulley		1
84-3	BB-6204Z	Ball Bearing	6204ZZ	2

Index No.	Part No.	Description	Size	Qty.
84-4	JMD18-010	C-ring	2x52	1
85	TS-0561071	Hex Nut	5/8"	1
86	JMD18-070	Motor Pulley		1
86-1	TS-0270021	Set Screw	5/16"x5/16"	2
88	VB-B33	V-Belt	B33	1
89	VB-B42	V-Belt	B42	1
90	JMD18-077	Wire Relief Retainer		1
91	TS-0051011	Hex Head Screw	5/16"x1/2"	1
92	JMD18-066E	Motor Mount Plate		1
93	JMD18-067E	Motor	2HP/230V/1PH	1
	JMD18-MLE	Motor Label for CE (not shown)		1
94	TS-0680031	Flat Washer	5/16"	8
95	TS-0051051	Hex Head Bolt	5/16"x1"	4
96	TS-0561021	Hex Nut	5/16"	4
97	TS-0061011	Hex Head Bolt	7/16"x3/4"	2
98	JMD18-159	Key	7x7x37mm	1
99	JMD18-99E	Guard Bracket		1
100	JMD18-100E	Pan Head Screw	M5x8L	2
101	TS-1534042	Pan Head Screw	M6x12L	2
102	JMD18-102E	Protective Plate		1
112A	JMD18-112AE	Chuck Guard Asbly		1
122-2	TS-1522031	Set Screw	M5x10	1
112-3	JMD18-112-3E	Rotary Supporting Base		1
112-4	TS-1504051	Hex Socket Head Screw	M8x25L	2
112-5	JMD18-112-5E	Rotary Shaft		1
112-6	JMD18-112-6E	Hex Socket Head Screw	M4x5	1
112-7	JMD18-112-7E	Bushing		1
112-8	JMD18-112-8E	Set Screw	M6x8	1
112-9	JMD18-112-9E	Chuck Guard Supporting Rod		1
112-10	JMD18-112-10E	Chuck Guard		1
112-11	TS-1502041	Hex Socket Head Screw	M5x16	2
112-12	TS-1551031	Spring Washer	M5	2
113	JMD18-113E	Drill Chuck w/ Chuck Key	13mm, B16	1
114	JMD18-086	Milling Cutter	25.4mm	1
116	JMD18N-116E	Lamp Assembly for CE	12V, 20W	1
118A	JMD18-118AE	Micro Switch Bracket Set		1
118-1	JMD18-118-1E	Micro Switch Bracket		1
118-2	JMD18-118-2E	Machine Screw	M4x12L	6
118-3	JMD18-118-3E	Limit Switch		1
118-4	JMD18-118-4E	Hex Socket Head Screw	5/32"UNFx1"L	2
118-5	JMD18-118-5E	Limit Switch Plate		1
118-6	JMD18-118-6E	Micro Switch Bracket		1
118-7	JMD18-118-7E	Pan Head Screw	5/32"UNFx1/4"L	2
119	JMD18N-119E	Lifting Hook	M10x33.5L	1
120	TS-1540071	Hex Nut	M10	1
121	JMD18-121E	Pan Head Screw	M5x8L	5
121-1	TS-1540031	Hex Nut	M5	1
122	JMD18-122E	Lamp Bracket		1
128	JMD18-128E	Switch Plate		1
130A	JMD18-130AE	Electrical Box Assembly		1
132	JMD15-JL	Jet Label		1
136	JMD18-136E	Rubber Clamp		3
	JMD18-IDE	I.D. Label for CE (not shown)		1
	JMD18-SCE	Speed Chart for CE (not shown)		1
	JMD18-AP	Accessory Package (not shown) *		1
	JMD18-36701	Capacitor (not shown)	300MF, 250VAC	1
	BD1325R-X02	Centrifugal Switch (not shown)		1

Index No	Part No	Description	Size	Qty.
* Contents of the Accessory Package:				
.....	JMD18-020E	Cutter Arbor.....		1
.....	JMD18-022	Handle.....		4
.....	JMD18N-029	Handle Rod.....		3
.....	JMD18N-030	Knob.....		3
.....	JMD18-050E	Lock Handle.....		1
.....	561704	Drill Chuck w/ Chuck Key.....		1
.....	JMD18-086	Cutter.....		1
.....	JMD18-021E	Chuck Arbor (Installed).....		1
.....	JMD18-012E	Punch Key.....		1
.....	365534	Angle Vise.....		1
.....	JMD18-058E	Head Handle.....		1
.....	JMD18-201	Wheel.....		3
.....	TS-152704	Hex Wrench.....	3mm	1
.....	TS-152705	Hex Wrench.....	4mm	1
.....	TS-152706	Hex Wrench.....	5mm	1
.....	TS-1505031	Hex Socket Cap Screw.....	M10x25L	1
.....	TS-1550071	Flat Washer.....	M10	1
.....	365534-01E	Hardware Package(Bolt, Nut,and Washer).....	M12	2
.....	JMD18N-119E	Lifting Hook.....	M10x33.5L	1
.....	TS-1540071	Hex Nut.....	M10	1
.....	MP-007	Touch Up Paint.....		1

Breakdown for the JMD-18 CE Mill/Drill Table, Base, and Column Assembly

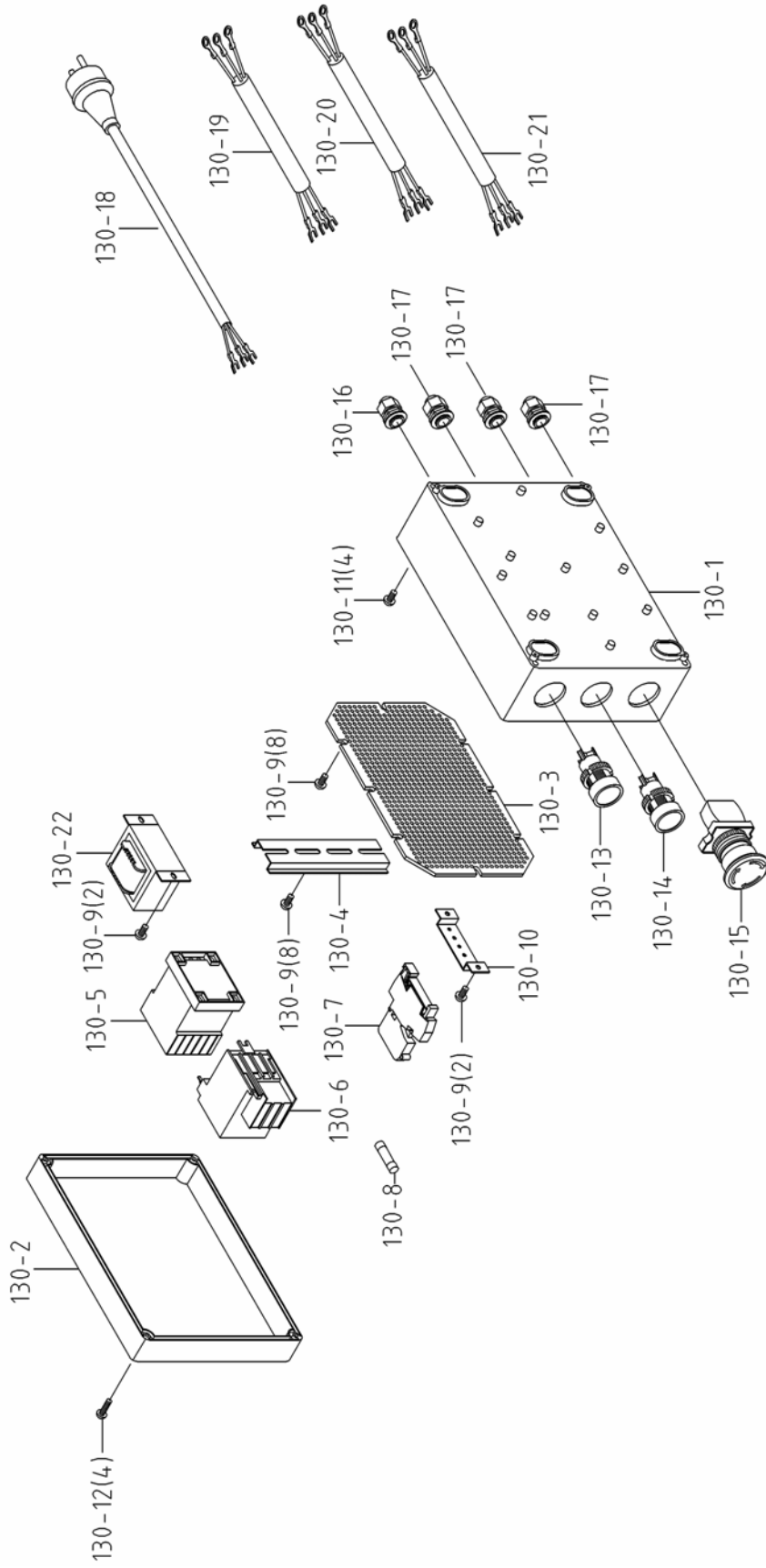


**Parts List for the JMD-18 CE Mill/Drill
Table, Base, and Column Assembly**

Index No.	Part No.	Description	Size	Qty.
601	JMD18-228	Table	31L	1
602	JMD18-229	Fixed Block		2
603	JMD18-230	Movable Ring		2
604	TS-0207021	Hex Socket Head Screw	1/4"x1/2"	2
605	JMD18-368	Oil Ball	1/4"	5
606	JMD18-201	Table Handle Wheel		3
606-1	TS-0267041	Set Screw	1/4"x3/8"	3
607A	JMD18-201A	Handle Assembly		3
607-1	JMD18-201-1	Hex Socket Head Screw	3/8"x16UNC	3
607-2	JMD18-201-2	Knob		3
607-3	JMD18-201-3	Hex Nut	3/8"	3
609	JMD18-220	Table Clutch		1
610	JMD18-366	Pin	5x38	1
611	JMD18-222	Left Flange		1
612	TS-0208062	Hex Socket Head Screw	5/16"x1"	6
613A	JMD18-223AE	Table Nut Set		1
613-1	JMD18-223E	Table Nut	TM23.7*P2.5	1
613-2	TS-1502041	Cheese Head Mach Screw	M5x16	1
613-3	TS-1550031	Flat Washer	M5	1
616A	JMD18-224AE	Table Screw Assembly		1
616-1	JMD18-224E	Table Lead Screw	TM23.7*P2.5	1
616-2	BB-51103	Thrust Bearing	51103	2
616-3	JMD18-226	Right Flange		1
616-4	JMD18-202-1E	Graduated Dial		1
616-5	JMD18-202	Dial Clutch		1
616-6	JMD18-366	Pin	5x38L	1
617	JMD18N-617	Link Screw		2
618	JMD18-121	Link Plate		2
619	JMD18-204-2	Rivet	2mm	4
620	JMD18-216	Center Base	31L	1
621	JMD18-219	Antidust Plate		1
622	JMD18-217	Antidust Plate Assembly		1
623	JMD18-227	Gib Strip	31L	1
624	JMD18-207	Gib Strip	31L	1
625	JMD18-214	Fixed Block		1
626	TS-0051011	Hex Head Screw	5/16"X1/2"	4
627	JMD18-212	Gib Strip Bolt		2
628	JMD18N-628	Bushing		4
629	JMD18-213-1	Locking Handle		2
630	JMD18-213	Leaf Screw		2
631	TS-0208061	Hex Socket Head Screw	5/16"X1"	2
632	TS-0051101	Hex Socket Head Screw	5/16"x2-1/4"	1
633A	JMD18-215AE	ACME Nut Assembly		1
633-1	JMD18-215E	ACME Nut	TM23.7*P2.5	1
633-2	TS-1550031	Flat Washer	M5	1
633-3	TS-1502041	Hex Socket Head Screw	M5x16	1
634	JMD18N-634	Base		1
635A	JMD18-205AE	ACME Nut Assembly		1
635-1	JMD18-205E	Cross Lead Screw	TM23.5*P2.5	1
635-2	BB-51103	Thrust Bearing	51103	2
635-3	JMD18-204	Square Flange		1
635-4	JMD18-202-1E	Graduated Dial		1

Index No.	Part No.	Description	Size	Qty.
635-5	JMD18-202	Dial Clutch		1
635-6	JMD18-366	Pin	5x38mm	1
636	JMD18N-636	Column Base		1
637	JMD18N-637	Rack	600.5L	1
638	JMD18-211	Column Cap		1
638-1	TS-0270021	Set Screw	5/16"x5/16"	1
640	JMD18-209	Column Flange Ring		1
641	JMD18N-641	Hex Socket Cap Bolt	5/8"x2-1/2"	5
642	TS-0720131	Lock Washer	5/8"	5
643	TS-0208022	Hex Socket Head Screw	5/16"x1/2"	2
644	JMD18N-644	Lock Washer	5/16"	3
645	JMD18N-645	Plug	PT1/4"x3/8"	1
646	365534	Vise		1
647	365534-01E	Hardware Package(Bolt, Nut,and Washer)	M12	2

Breakdown for the JMD-18 CE Mill/Drill Electrical Box Assembly



**Parts List for the JMD-18 CE Mill/Drill
Electrical Box Assembly**

Index No.	Part No.	Description	Size	Qty.
130-1	JMD18-130-1E	Box Base		1
130-2	JMD18-130-2E	Box Cover		1
130-3	JMD18-130-3E	Base Plate		1
130-4	JMD18-130-4E	Bracket		1
130-5	JMD18-130-5E	Contactora		1
130-6	JMD18-130-6E	Overload		1
130-7	JMD18-130-7E	Fuse Bracket		1
130-8	JMD18-130-8E	Fuse	2A	1
130-9	JMD18-130-9E	Pan Head Screw	5/32" x 1/4"L	20
130-10	JMD18-130-10E	Ground Plate		1
130-11	JMD18-130-11E	Pan Head Screw	3/16" x 5/16"L	4
130-12	TS-1532042	Pan Head Screw	M4 x 12L	4
130-13	JMD18-130-13E	Start Push Button		1
130-14	JMD18-130-14E	Stop Push Button		1
130-15	JMD18-130-15E	Emergency Stop Button		1
130-16	JMD18-130-16E	Wire Plug	PG13.5	2
130-17	JMD18-130-17E	Wire Plug	PG11	3
130-18	JMD18-130-18E	Power Cable w/ Plug	H07RN-F, 3G1.5mm ²	1
130-19	JMD18-130-19E	Motor Cable	H05VV-F, 3G1.5mm ²	1
130-20	JMD18-130-20E	Limit Switch Cable	H05VV-F, 2G0.75mm ²	1
130-21	JMD18-130-21E	Light Cable	H05VV-F, 2G0.75mm ²	1
130-22	JMD18-130-22E	Transformer	20VA	1

